



# PARTS BREAKDOWN

## HOT WATER PRESSURE WASHER

MODEL:HW152EA



**BEPOWEREQUIPMENT**

**.COM**

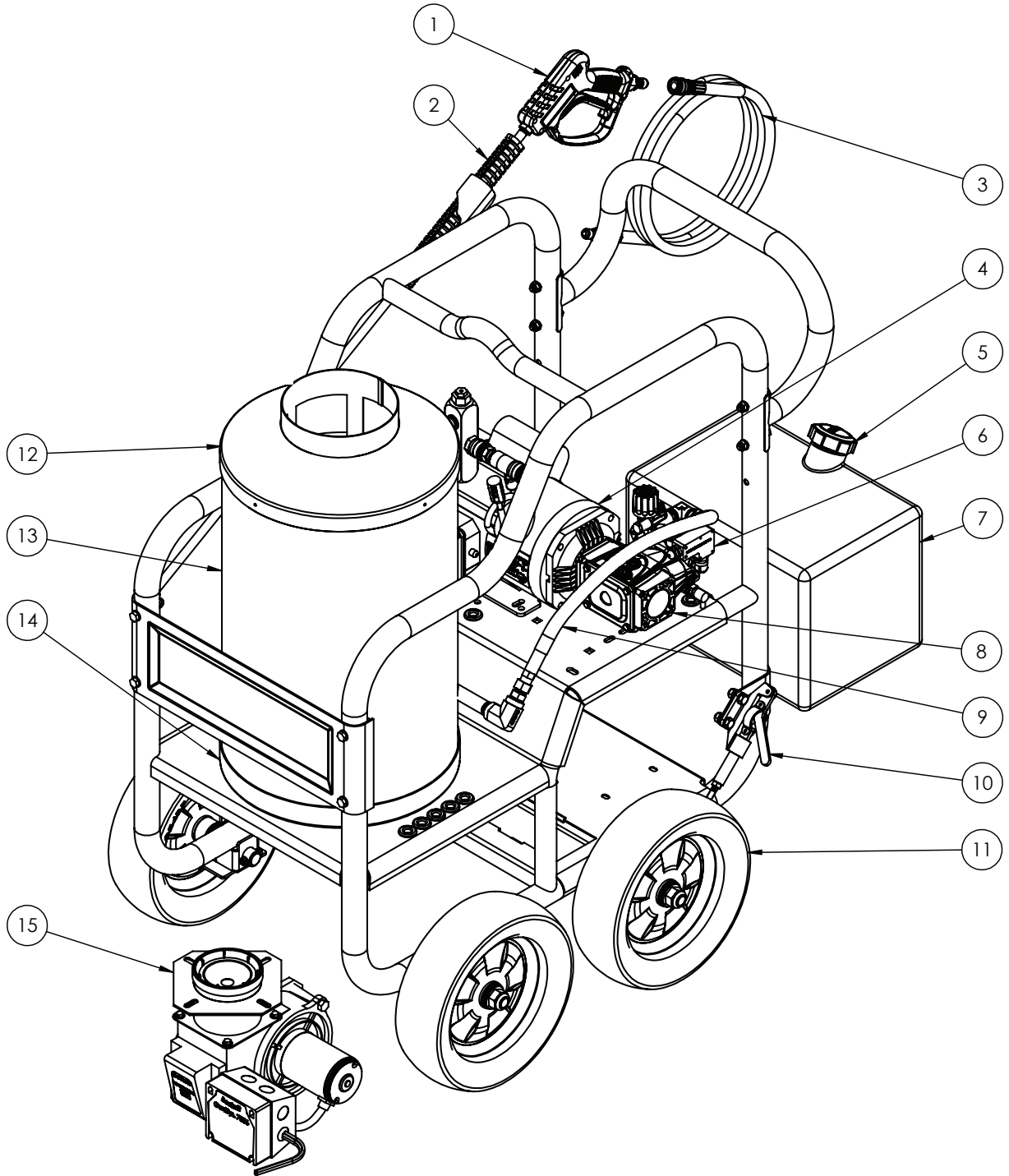


# PARTS BREAKDOWN

## HOT WATER PRESSURE WASHER

MODEL:HW152EA

### MAJOR COMPONENTS DIAGRAM



\*PARTS LISTED ON NEXT PAGE



# PARTS BREAKDOWN

## HOT WATER PRESSURE WASHER

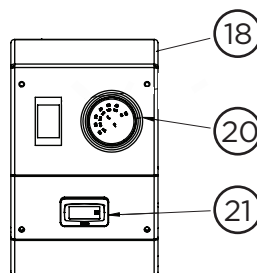
MODEL:HW152EA

### MAJOR COMPONENTS PARTS REFERENCE (FOR PREVIOUS PAGE)

REF #	DESCRIPTION	QTY	BE PART #
1	SPRAY GUN	1	85.202.109
2	SPRAY WAND	1	85.202.026
1 & 2	SPRAY GUN AND WAND ASSEMBLY	1	85.205.026
3	HOSE, 50' X 3/8" DOUBLE WIRE BRAIDED	1	85.238.251
4	TECHTOP 2HP MOTOR	1	72.301.002
5	FUEL TANK CAP	1	59.400.008
6	PRESSURE SWITCH	1	85.300.082
7	6 GALLON FUEL TANK	1	85.601.044
8	PUMP ASSEMBLY - AR JRV2G25E-F8	1	85.129.083H
9	HOSE, 20" X 3/8"	1	85.238.020J
10	BRAKE ASSEMBLY	2	85.604.104
11	12" FLAT FREE WHEEL	4	85.660.054BF
12	TOP INSULATION	1	59.000.303
13	COIL ASSEMBLY	1	59.000.300
14	BOTTOM INSULATION	1	59.000.304
15	WAYNE 120V BURNER ASSEMBLY	1	59.120.001
NOT SHOWN	DIESEL IN LINE FUEL FILTER	1	59.000.104
NOT SHOWN	RUPTURE DISC	1	59.000.128

### CONTROL BOX

59.400.013



REF #	DESCRIPTION	QTY	BE PART #
18	CONTROL BOX	1	59.400.013
20	THERMOSTAT WITH INNER PROBE	1	85.400.071
21	HOUR METER	1	59.000.128

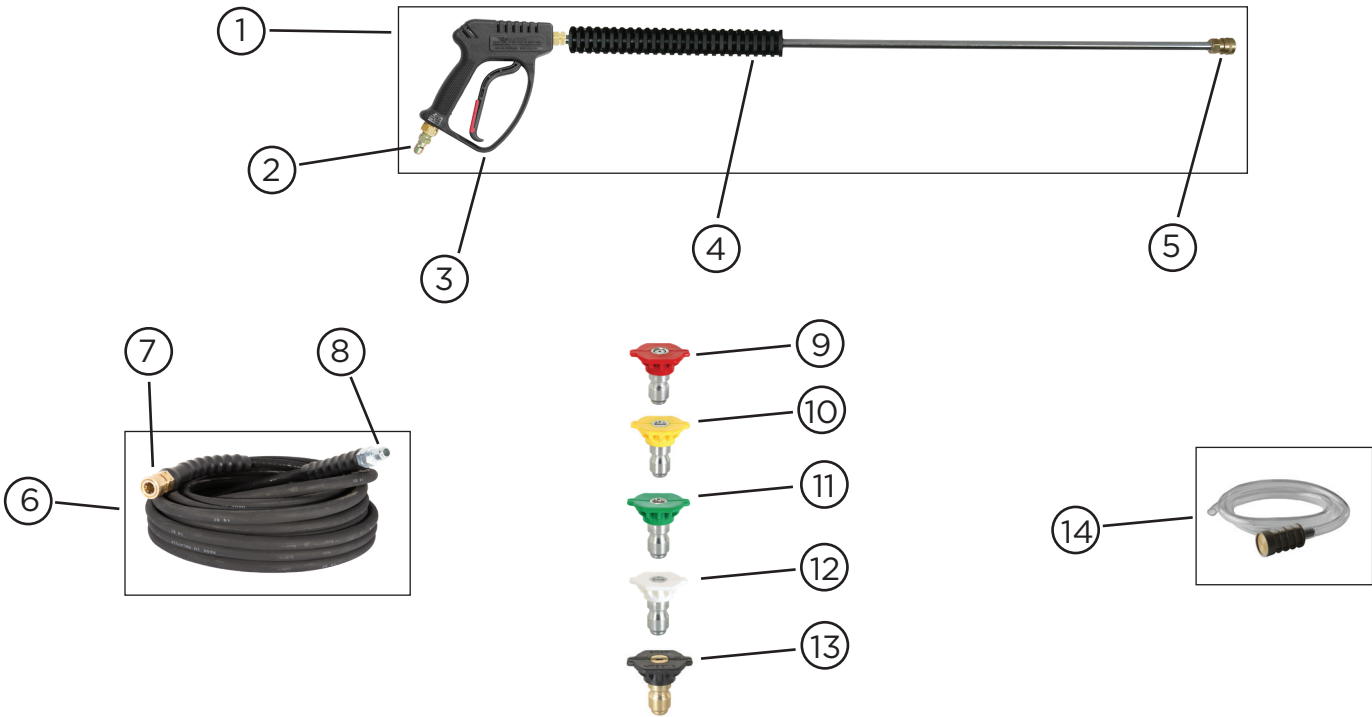


# PARTS BREAKDOWN

## HOT WATER PRESSURE WASHER

MODEL:HW152EA

### ACCESSORIES COMPONENTS



REF #	DESCRIPTION	QTY	BE PART #
1	SPRAY GUN-WAND ASSEMBLY	1	85.205.026
2	SPRAY GUN PLUG	1	85.300.105
3	SPRAY GUN	1	85.202.109
4	SPRAY WAND	1	85.202.026
5	SPRAY GUN 1/4" COUPLER	1	85.300.102
6	50' X 3/8" HOSE ASSEMBLY	1	85.238.251
7	3/8" HOSE COUPLER	1	85.300.103
8	3/8" HOSE PLUG	1	85.300.104
9	0° RED SPRAY NOZZLE, 035 ORIFICE	1	85.201.035
10	15° YELLOW SPRAY NOZZLE, 035 ORIFICE	1	85.216.035
11	25° GREEN SPRAY NOZZLE, 035 ORIFICE	1	85.226.035
12	40° WHITE SPRAY NOZZLE, 035 ORIFICE	1	85.241.035
13	BLACK SOAPER NOZZLE	1	85.266.400
14	SOAP PICK-UP TUBE WITH FILTER	1	85.400.013



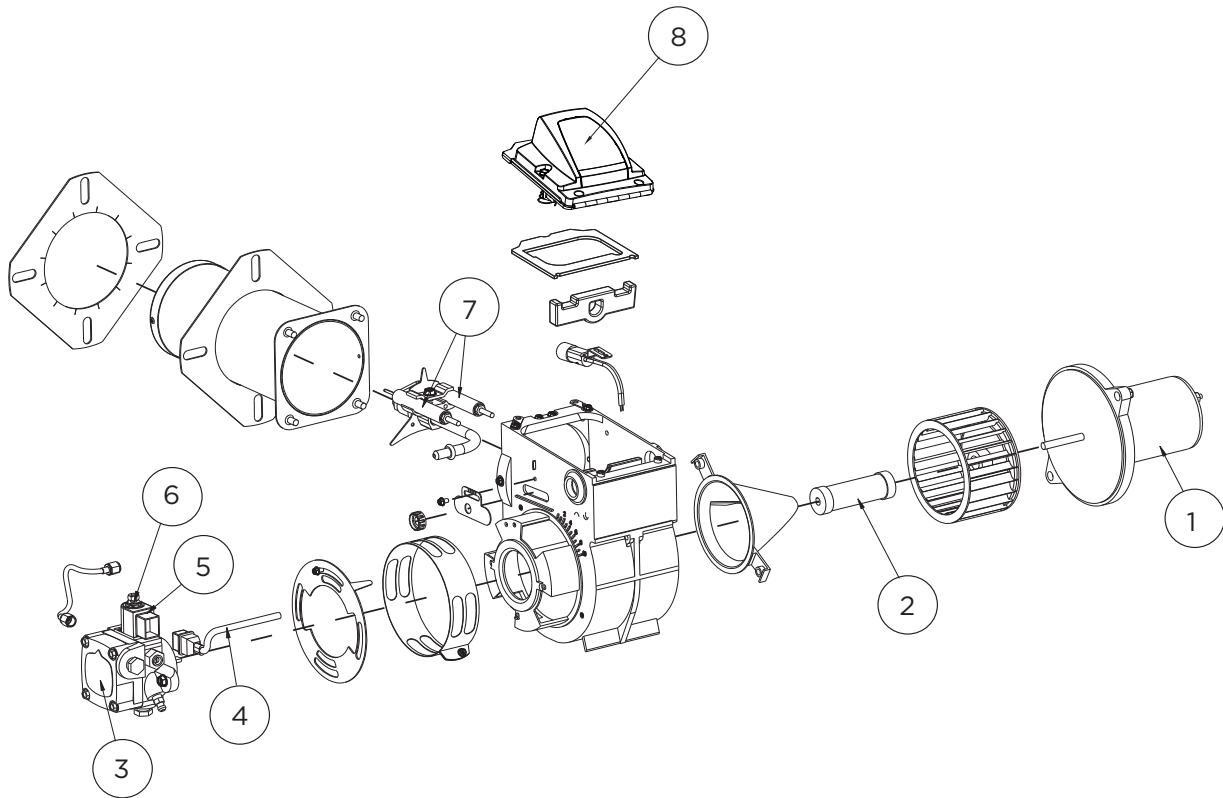
# PARTS BREAKDOWN

## HOT WATER PRESSURE WASHER

MODEL:HW152EA

### MSR 120V WAYNE BURNER

59.120.001



REF #	DESCRIPTION	QTY	BE PART #
1	BLOWER MOTOR	1	59.121.011
2	SHAFT COUPLING	1	59.121.012
3, 4, 5, 6	FUEL PUMP WITH SOLENOID	1	59.121.013
4, 5, 6	FUEL SOLENOID	1	59.121.014
7	ELECTRODE SET	1	59.121.005
8	IGNITIER	1	59.121.016



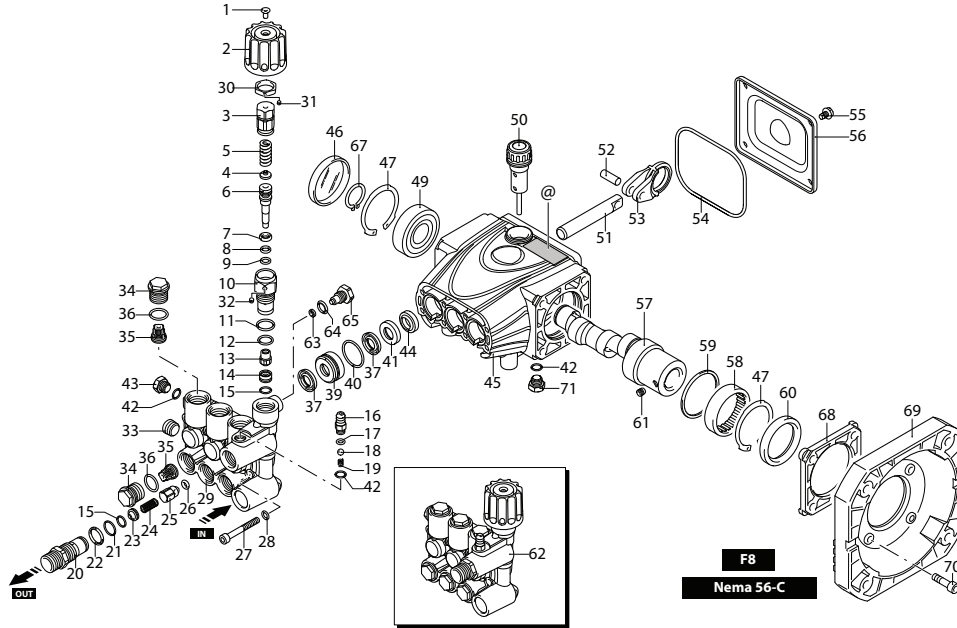
# PARTS BREAKDOWN

## HOT WATER PRESSURE WASHER

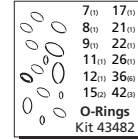
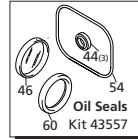
MODEL:HW152EA

### PUMP

85.129.083H



#### Repair Kits



Pos	Code	Description	Qty	Pos	Code	Description	Qty	Legend	
1	3800250	Screw M4x8	(26.5 in/lbs) 1	39	2840550	Front piston guide ø 12	3	ø 12	ø 12
2	3800180	Knob	1	40	770590	O-Ring Ø 26.70x1.78	3	For ○	For ●
3	3800190	Adjusting cover	1	41	2841390	Rear piston guide ø 12	3	JRV2G25	JRV3G20
4	1980220	Spring plate	2	42	3700250	O-Ring Ø 8x1.1	3		
5	2760410	Spring	1	43	2841800	Plug	(70.8 in/lbs) 2		
6	4140170	Piston stem	1	44	1683500	Oil seal	3		
7	2260100	O-Ring Ø 6.02x2.62	1	45	4140010	Pump body	1		
8	660190	O-Ring Ø 6.07x1.78	1	46	4140150	Cover	1		
9	2760210	Ring	1	47	4140360	Snap Ring øi 47	1		
10	3800210	Piston guide	(132.7 in/lbs) 1	49	4140110	Bearing	1		
11	740290	O-Ring Ø 14x1.78	1	50	4140210	Plug	1		
12	820510	O-Ring	1	51	4140060	Piston ø 12	3		
13	3800230	Piston	(26.5 in/lbs) 1	52	4140070	Connecting rod pin	3		
14	2841080	Seat	1	53	4140080	Connecting rod (Aluminum)	3		
15	1470210	O-Ring Ø 9x1	2	54	4140090	O-Ring	1		
16	3700240	Hose barb Ø 8	1	55	4140270	Screw TE 5x8	4		
17	480480	O-Ring Ø 4.48x1.78	1	56	4140030	Cover	1		
18	1250280	Ball	1	57	4140260	Crankshaft	○ 1		
19	1560520	Spring	1		4140280	Crankshaft	● 1		
20	2760230	Injector	(354 in/lbs) 1	58	4140240	Bearing	1		
21	276270	O-Ring Ø 12x1	1	59	4140190	Ring	1		
22	394280	O-Ring Ø 12.42x1.78	1	60	1981730	Oil seal crankshaft	1		
23	2760120	Orifice	1	61	820440	Screw M6x6	1		
24	2760200	Spring	1	62	4149201	Head assembly	1		
25	2761511	Shutter	1	63	1120681	O-Ring Ø 3.99x1.78	1		
26	2101770	O-Ring Ø 4x2.5	1	64	2841220	O-Ring Ø 7.66x1.78	1		
27	1345180	Screw M5x40	(54.8 in/lbs) 8	65	2841230	Plug	1		
28	4140140	Washer	8	67	1780550	Ring øe 20	1		
29	4140020	Head	1	68	4140160	Adaptor	1		
30	3800200	Nut M16x1	1	69	1320060	Flange F8	1		
31	3800240	Screw M4x4	1	70	1040370	Screw M6x22	(92 in/lbs) 4		
32	3800310	Screw M3x4	1	71	2841800	Plug	(70.8 in/lbs) 1		
33	2760260	Plug 1/4" G	(141.6 in/lbs) 2		AR64516	Oil	1		
34	2840130	Plug	(221 in/lbs) 6			OIL CAPACITY - 5.43 OZ			
35	2849051	Complete valve	6						
36	2841520	O-Ring Ø 13.5x1.8	6						
37	2200141	Water seal (High & Low)	6						

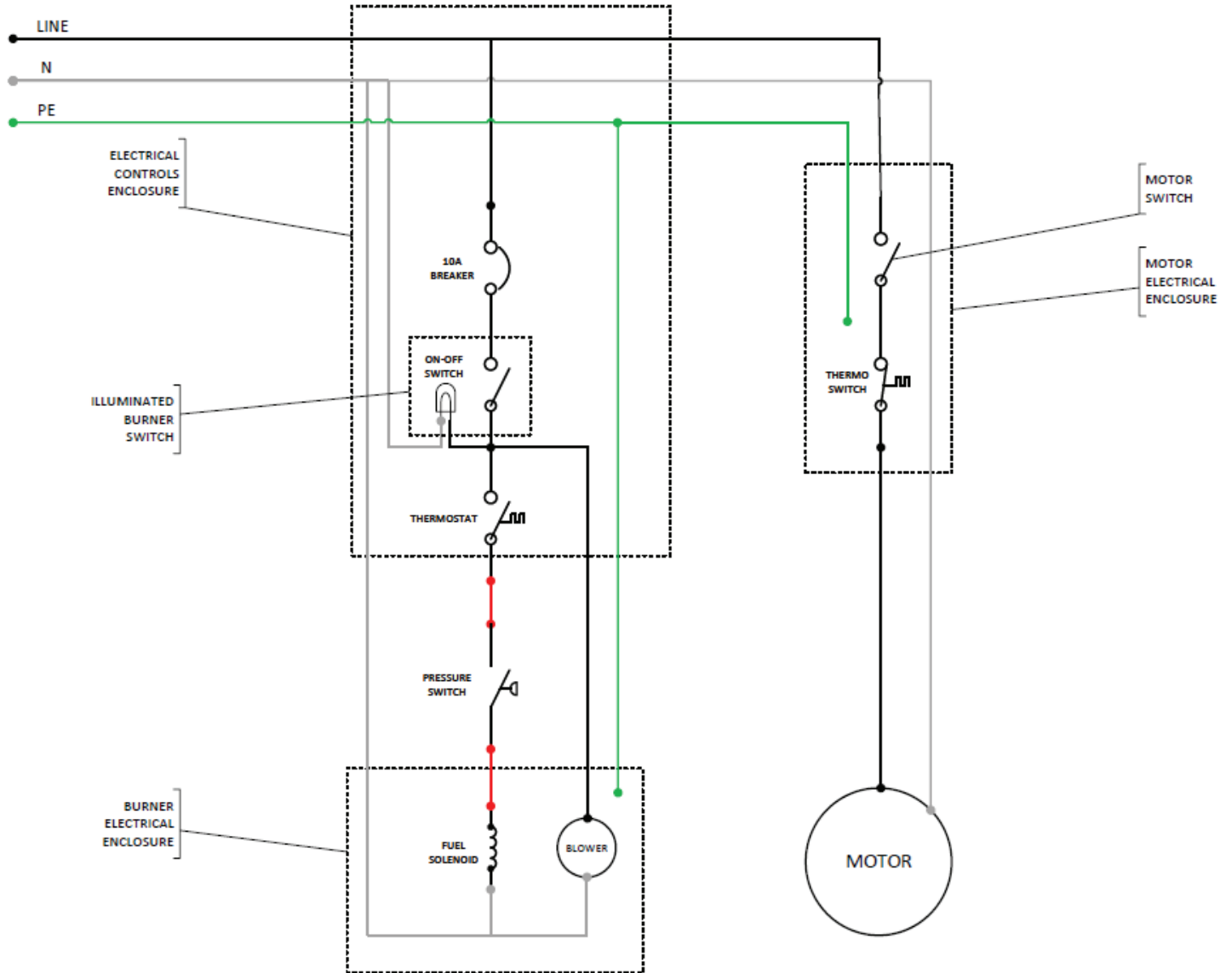


# PARTS BREAKDOWN

## HOT WATER PRESSURE WASHER

MODEL:HW152EA

### WIRING DIAGRAM



# BE

**POWER EQUIPMENT**

---

If you need technical assistance call:

**1-866-850-6662**

**(8:00am - 4:30pm PST, Mon - Fri)**